



**Boise Cascade**  
1-800-541-0529

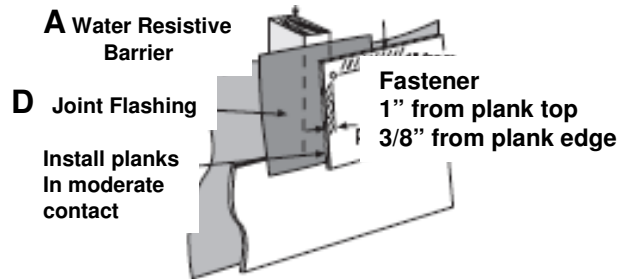
**HardiePlank®** Lap Siding



**CEDARMILL**

**JOINT TREATMENT**

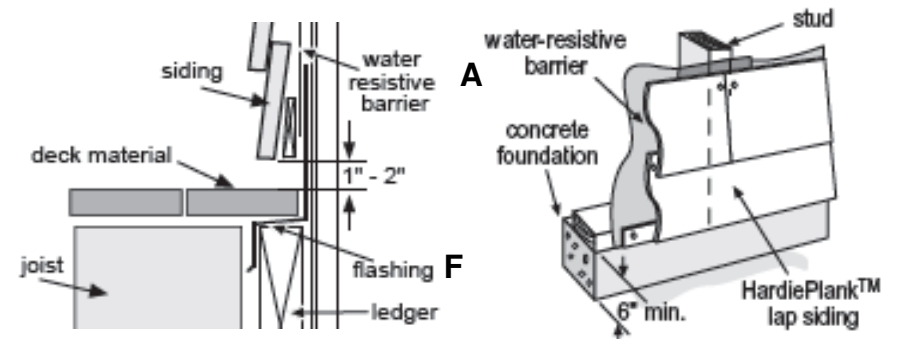
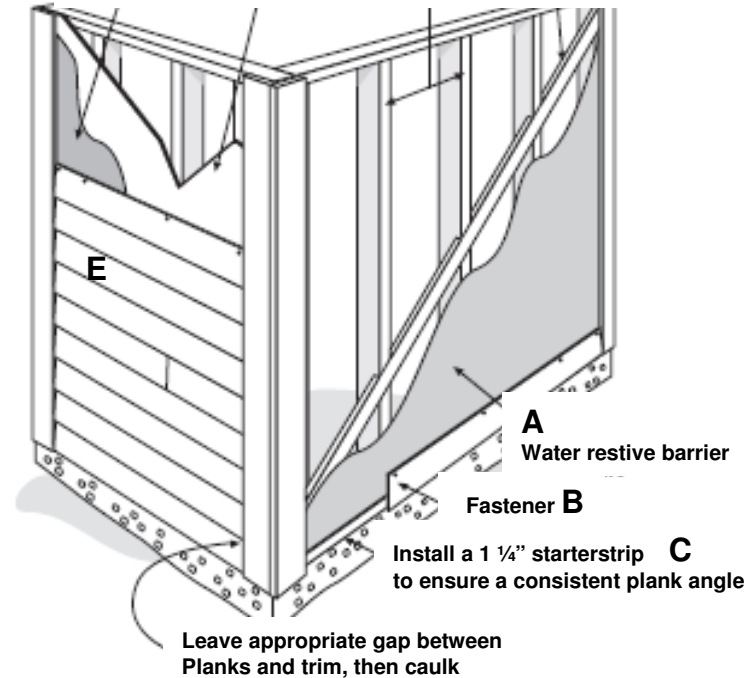
*(Required for color plus, recommended for primed)  
James Hardie does not recommend the use of caulk at field butt joints*



Install factory finished edges together at butt joints

SKU	LETTER	PRODUCT
5300008	A	9 X 150 BARRICADE
6482014	B	2X.092 15 DEG COIL HDG RING NAIL
0801010	C	4' LATH 50 PC BUNDLE
2310331	D	5/16X8 JUNCTION FLASHING 50/CTN
2310329	D	5/16X6 JUNCTION FLASHING 50/CTN
3008090	E	5/16X5.25 PRIMED CEDARMILL LAP
3002100	E	5/16X6.25 PRIMED CEDARMILL LAP
3008110	E	5/16X7.25 PRIMED CEDARMILL LAP
3008120	E	5/16X8.25 PRIMED CEDARMILL LAP
3008130	E	5/16X9.25 PRIMED CEDARMILL LAP
3008150	E	5/16X12 PRIMED CEDARMILL LAP
3010066	E	5/16X8.25 PRIMED RUSTIC LAP
2713200	F	ROOF/WALL FLASH ARCTIC WHITE
2713204	F	ROOF/WALL FLASH COBBLESTONE
2713210	F	ROOF/WALL FLASH KHAKI
2713213	F	ROOF/WALL FLASH MONT TAUPE
2713215	F	ROOF/WALL FLASH NAVAJO
2713240	F	ROOF/WALL FLASH WOODSTOCK

**A**  
Water resistive barrier  
let-in bracing  
24" on center





**Boise Cascade**  
1-800-541-0529

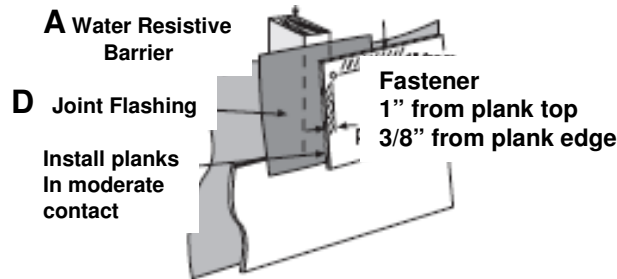
**HardiePlank®** Lap Siding



**SMOOTH**

**JOINT TREATMENT**

*(Required for color plus, recommended for primed)  
James Hardie does not recommend the use of caulk at field butt joints*



Install factory finished edges together at butt joints

SKU	LETTER	PRODUCT
5300008	A	9 X 150 BARRICADE
6482014	B	2X.092 15 DEG COIL HDG RING NAIL
0801010	C	4' LATH 50 PC BUNDLE
2310331	D	5/16X8 JUNCTION FLASHING 50/CTN
2310329	D	5/16X6 JUNCTION FLASHING 50/CTN
3012015	E	5/16X5.25 PRIMED SMOOTH LAP
3012025	E	5/16X6.25 PRIMED SMOOTH LAP
3015045	E	5/16X8.25 PRIMED SMOOTH LAP
3008150	E	5/16X12 PRIMED SMOOTH LAP
2713200	F	ROOF/WALL FLASH ARCTIC WHITE
2713204	F	ROOF/WALL FLASH COBBLESTONE
2713210	F	ROOF/WALL FLASH KHAKI
2713213	F	ROOF/WALL FLASH MONT TAUPE
2713215	F	ROOF/WALL FLASH NAVAJO
2713240	F	ROOF/WALL FLASH WOODSTOCK

