



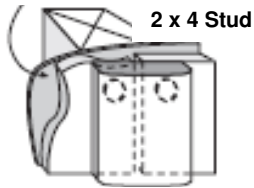
Boise Cascade
1-800-541-0529

HardiePanel[®] Vertical Siding

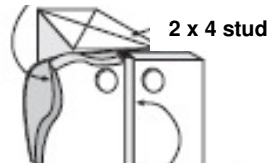


James Hardie
EFFECTIVE AUGUST 2008

A Water Resistant Barrier

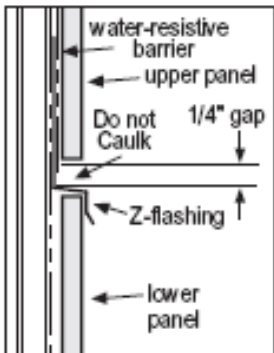


A Water Resistant Barrier



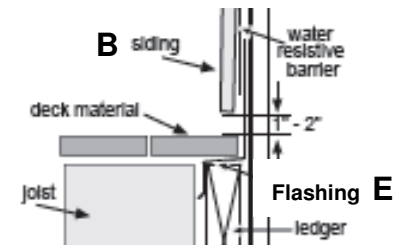
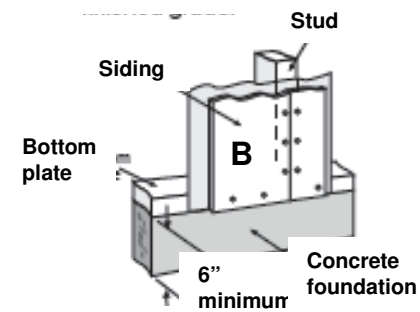
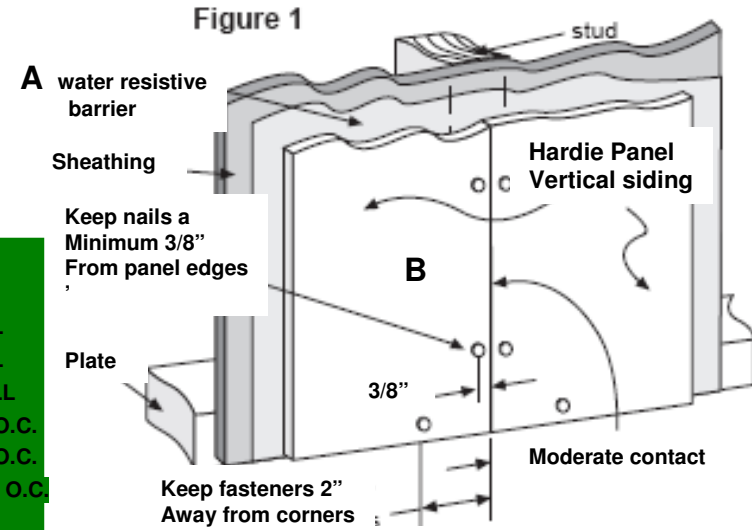
Leave appropriate gap between Panels, then caulk

C Batten Joint



D

SKU	LETTER	PRODUCT
5300008	A	9'X150' BARRICADE
3001037	B	5/16X4X8 PRIMED CEDARMILL
3001046	B	5/16X4X9 PRIMED CEDARMILL
3001055	B	5/16X4X10 PRIMED CEDARMILL
3003063	B	5/16X4X8 PRIMED SIERRA 8" O.C.
3003070	B	5/16X4X9 PRIMED SIERRA 8" O.C.
3003077	B	5/16X4X10 PRIMED SIERRA 8" O.C.
3004003	B	5/16X4X8 PRIMED SMOOTH
3004015	B	5/16X4X10 PRIMED SMOOTH
3005005	B	5/16X4X8 PRIMED STUCCO
3005010	B	5/16X4X9 PRIMED STUCCO
3005015	B	5/16X4X10 PRIMED STUCCO
3028005	C	4/4X2.5X12' RUSTIC BATTEN
6600046	D	5/16X10' GALV Z FLASH
2713100	D	3/8X10' Z FLASH ARCTIC WH
2713103	D	3/8X10 Z FLASH COBBLESTONE
2713110	D	3/8X10 Z FLASH KHAKI
2713116	D	3/8X10 Z FLASH MONT TAUPE
2713122	D	3/8X10 Z FLASH NAVAJO
2713150	D	3/8X10 Z FLASH WOODSTOCK
2713200	E	ROOF/WALL FLASH ARCTIC
2413204	E	ROOF/WALL FLASH COBBLESTONE
2713210	E	ROOF/WALL FLASH KHAKI
2713213	E	ROOF/WALL FLASH MONT TAUPE
2713215	E	ROOF/WALL FLASH NAVAJO
2713240	E	ROOF/WALL FLASH WOODSTOCK



B 4